

Enclosed Timing Belt Actuator

Contents

[Overview](#)

[Composition](#)

[Applications](#)

[Technical Specifications](#)

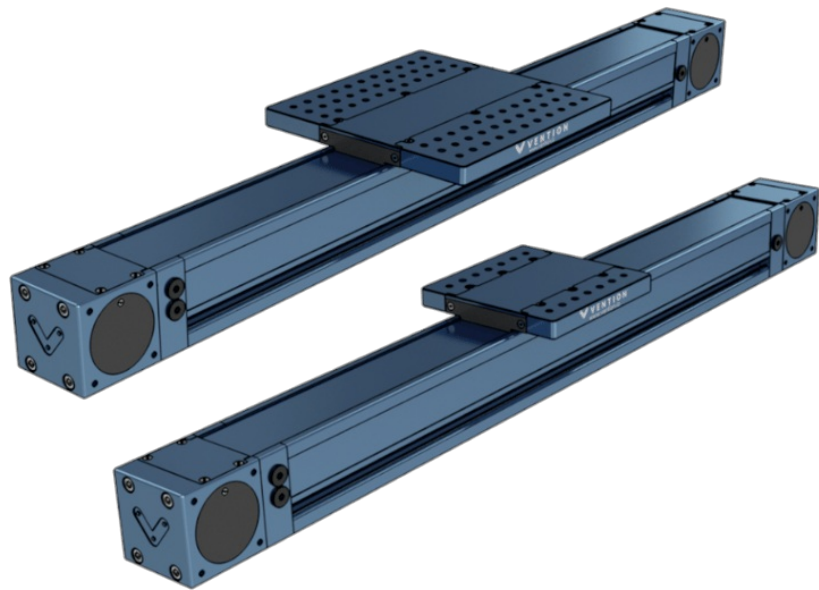
[Available Sizes](#)

[Loading Capacity](#)

[Driving Force](#)

[Assembly Instructions](#)

[Maintenance](#)



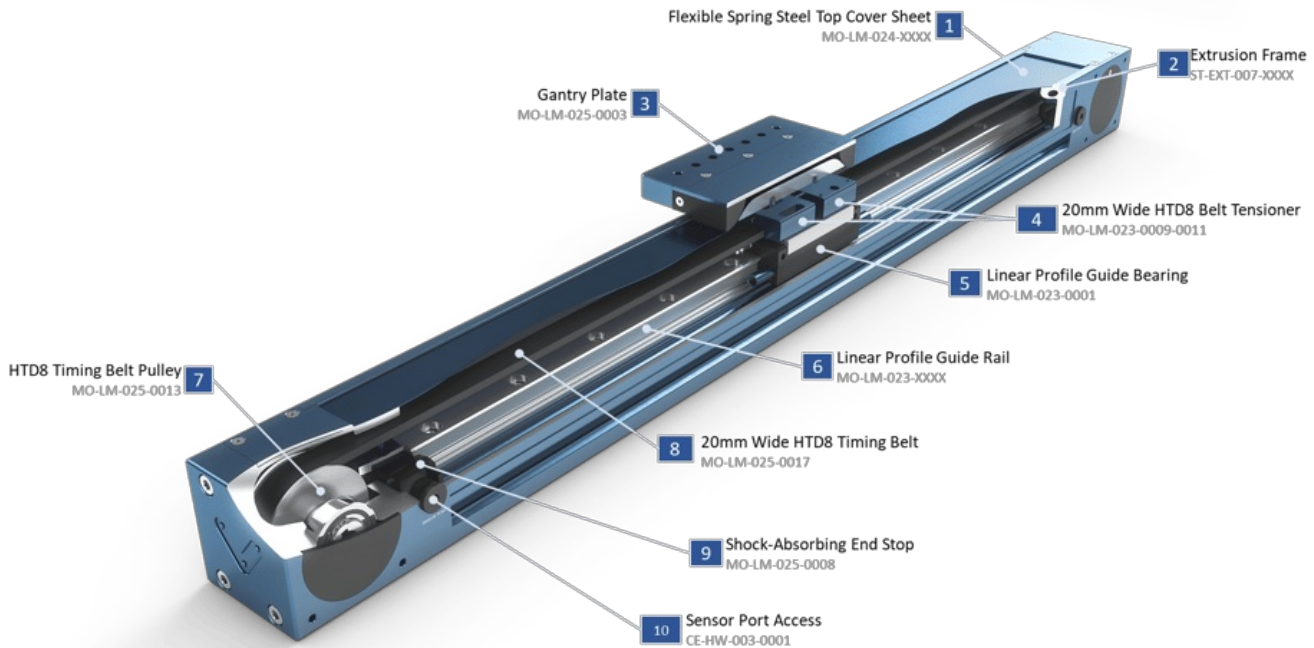
Overview

The enclosed timing belt is a high-performance actuator that opens up new possibilities, including pinch point-free configurations and the ability to work in dirty environments. This actuator comes in three configurations: standard duty, heavy duty, and dual gantry. Each configuration is available in several lengths to accommodate a range of applications.

Keep reading the following technical document to understand the detailed specifications of this actuator family.

Composition

The enclosed timing belt actuator is composed of the following parts:



1. A thin spring-steel cover seals off the top of the enclosed timing belt actuator, keeping contaminants out and eliminating the chance of pinch points.
Note: Cover is not load bearing. Do not apply a load to it, or it will break.
2. A specially designed extrusion profile provides the outer structure and mounting points.
3. A gantry plate forms the actuator's main mobile structure. Use it to attach components, like a robot or another actuator, that you would like to move around.
4. A tensioner sets the tension of the 20-mm HTD8 belt. It is set using a single M5 screw and locked in place by the gantry bolts.
5. A single profile bearing carries loads on the regular enclosed timing belt (MO-LM-026-XXXX), as pictured, whereas two bearings are included on the heavy-duty variant (MO-LM-027-XXXX). These heavy-duty bearings can carry extremely heavy loads and moments.
6. Bearings roll along the linear profile guide rail, which is made of hardened steel and attached to the extrusion body.
7. The timing belt pulleys have full 180 degree belt engagement to ensure belt slip will not occur.
8. 20 mm-wide HTD8 belt provides high-output force capacity, allowing the timing belt actuator to be used for light or heavy loads while maintaining good position accuracy.
9. Internal bump stops ensure that if the actuator crashes into the end of travel no components will be damaged.
10. Easy to access sensor ports for home and end of travel detection.

Applications

The enclosed timing belt is a robust, compact actuator that can be used in horizontal and vertical configurations. Mount it in any direction to suit your needs; its flexibility makes it suitable for a wide range of applications.

One great use for the enclosed timing belt actuator is as a range extender. Range extenders used to require multiple guide rails and a drive mechanism to move the robot around, but the new enclosed timing belt is strong enough that you can simply attach the robot to the actuator's gantry.

The standard actuator supports the UR3, UR5, and similar robots, whereas the heavy-duty version supports the UR10, Yaskawa HC10, Yaskawa GP7/GP8, and others.

The enclosed timing belt can also be configured as a dual gantry enclosed timing belt allowing for a greater flexibility in design, as the two 180 x 180 mm gantry plates can be spaced at any interval. This variation in length creates a degree of customizability that is not afforded by the regular configuration.



Another popular use of the enclosed timing belt actuator is as X and Y axes for palletizing applications. The robust bearing in this actuator allows for the deployment of highly rigid and durable gantry systems at size scales that were not previously possible. When mounting multiple enclosed actuators in parallel, please refer to the self aligning mount technical document found [here](#).



Explore public designs to get ideas on how you could use the enclosed timing belt actuator.

[Browse open-source designs](#)

Technical Specifications

The table below lists the overall performance specs for the enclosed timing belt actuator. For details see sections [Available Sizes](#), [Load Capacity](#), and [Driving Forces](#).

Displacement Ratio (mm/motor rotation)	208
Repeatability (mm)	±0.025
Backdrive Resistance	Medium
Max Lifting Capacity (kg)	100
Motor Compatibility	NEMA 34, 14mm shaft with 5mm key
Sensor Compatability	CE-SN-004-0003 Proximity Sensor Only

Available Sizes

The enclosed timing belt actuator is available in three duty configurations: standard duty, heavy duty, and dual gantry. Each is available in various extrusion body lengths, detailed in the table below.

For the total length of the actuator add 247.5 mm.

For the travel length of the standard duty actuator take the extrusion length and subtract 125 mm.

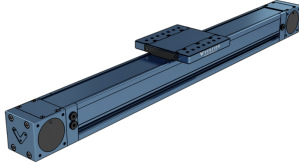
For the travel length of the heavy duty actuator take the extrusion length and subtract 245 mm.

For the travel length of the dual gantry actuator take the extrusion length and subtract by (305 mm + gantry spacing).

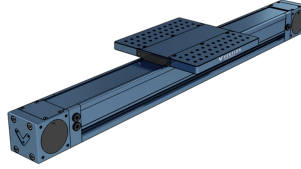
The moving gantry plates also differ between the standard and heavy duty varieties. The standard actuator has a 180 x 180 mm gantry, whereas the heavy duty one is 270 x 270 mm. The dual gantry configuration utilizes two 180 x 180 mm gantry plates, which can be placed flush with one another or spaced according to the design requirements.

The table below gives the weight for each size of enclosed timing belt actuator.

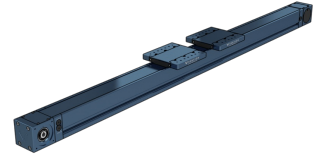
Standard Duty



Heavy Duty



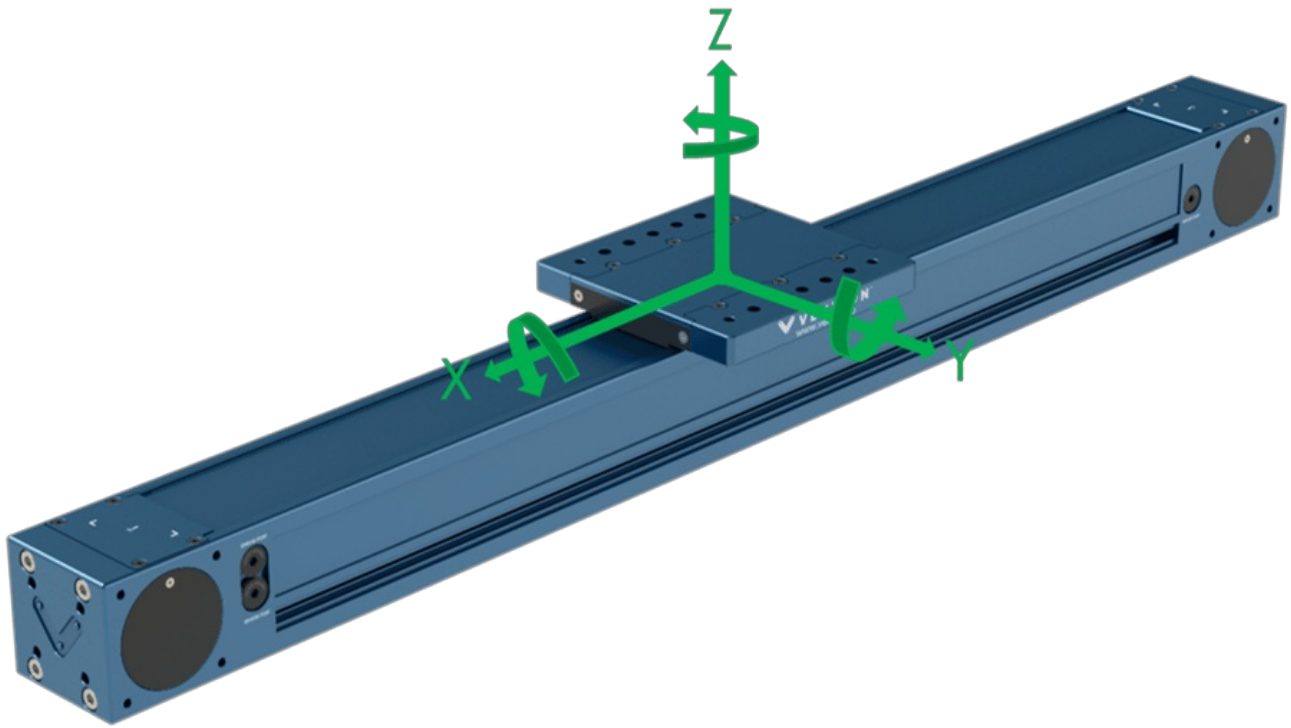
Dual Gantry



Part Number	MO-LM-026-XXXX	MO-LM-027-XXXX	MO-LM-040-XXXX
585 mm	13.79 kg	17.51 kg	-
855 mm	16.49 kg	20.34 kg	-
1530 mm	23.25 kg	27.31 kg	27.61 kg
2295 mm	30.90 kg	34.91 kg	35.62 kg
3330 mm	43.87 kg	46.26 kg	46.46 kg

Loading Capacity

The table below shows the load capacity of the three configurations of the enclosed timing belt. Both nominal and max peak forces are specified for each type of actuator and in each direction. Use the diagram below to understand the directional load and moment capacities.



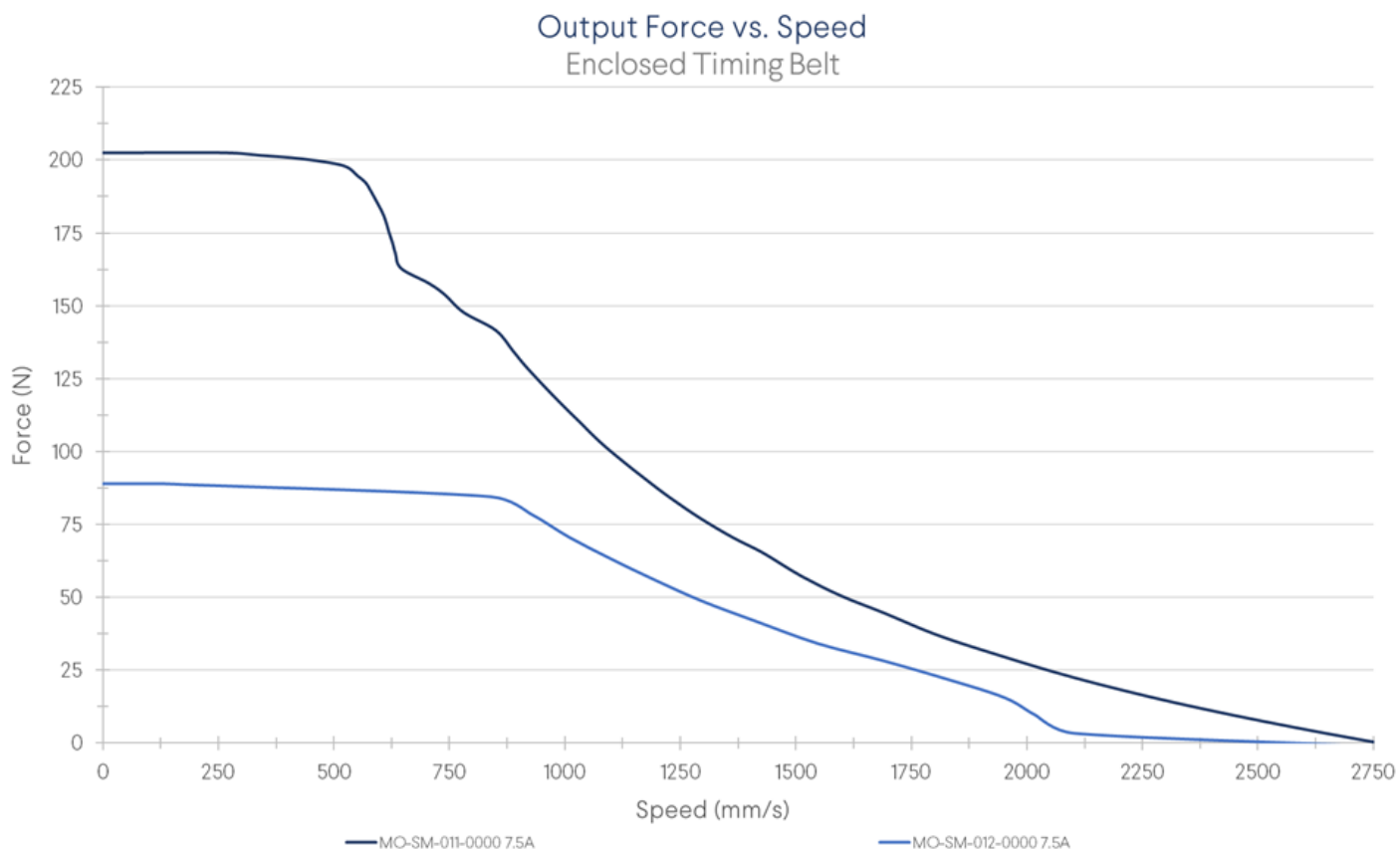
	Standard Duty	Heavy Duty	Dual Gantry**
Part Number	MO-LM-026-XXXX	MO-LM-027-XXXX	MO-LM-040-XXXX
Nominal Axial Force (Fx)	See Driving Forces	See Driving Forces	See Driving Forces
Max Peak Axial Force (Fx)	See Driving Forces	See Driving Forces	See Driving Forces
Nominal Roll Moment (Mx)	500 Nm	750 Nm	750 Nm
Max Peak Roll Moment (Mx)*	750 Nm	1850 Nm	1850 Nm
Nominal Horizontal Force (Fy)	3330 N	5000 N	5000 N
Max Peak Horizontal Force (Fy)*	5000 N	7500 N	7500 N
Nominal Pitch Moment (My)	630 Nm	1250 Nm	1250 Nm
Max Peak Pitch Moment (My)*	950 Nm	2000 Nm	2000 Nm
Nominal Vertical Force (Fz)	3330 N	5000 N	5000 N
Max Peak Vertical Force (Fz)*	5000 N	7500 N	7500 N
Nominal Yaw Moment (Mz)	500 Nm	750 Nm	750 Nm
Max Peak Yaw Moment (Mz)*	750 Nm	1850 Nm	1850 Nm

*Note that max peak values represent the absolute maximum load. Peak loads are acceptable during one-time events such as emergency stops, but operating at peak loads continuously will cause excessive wear and significantly decrease the actuator's lifespan.

**Note that the nominal and maximum moment of the dual gantry enclosed linear profile guide can be raised by increasing the spacing of the two gantry plates. To ensure the spacing is adequate for the application, please contact Vention's application engineering team.

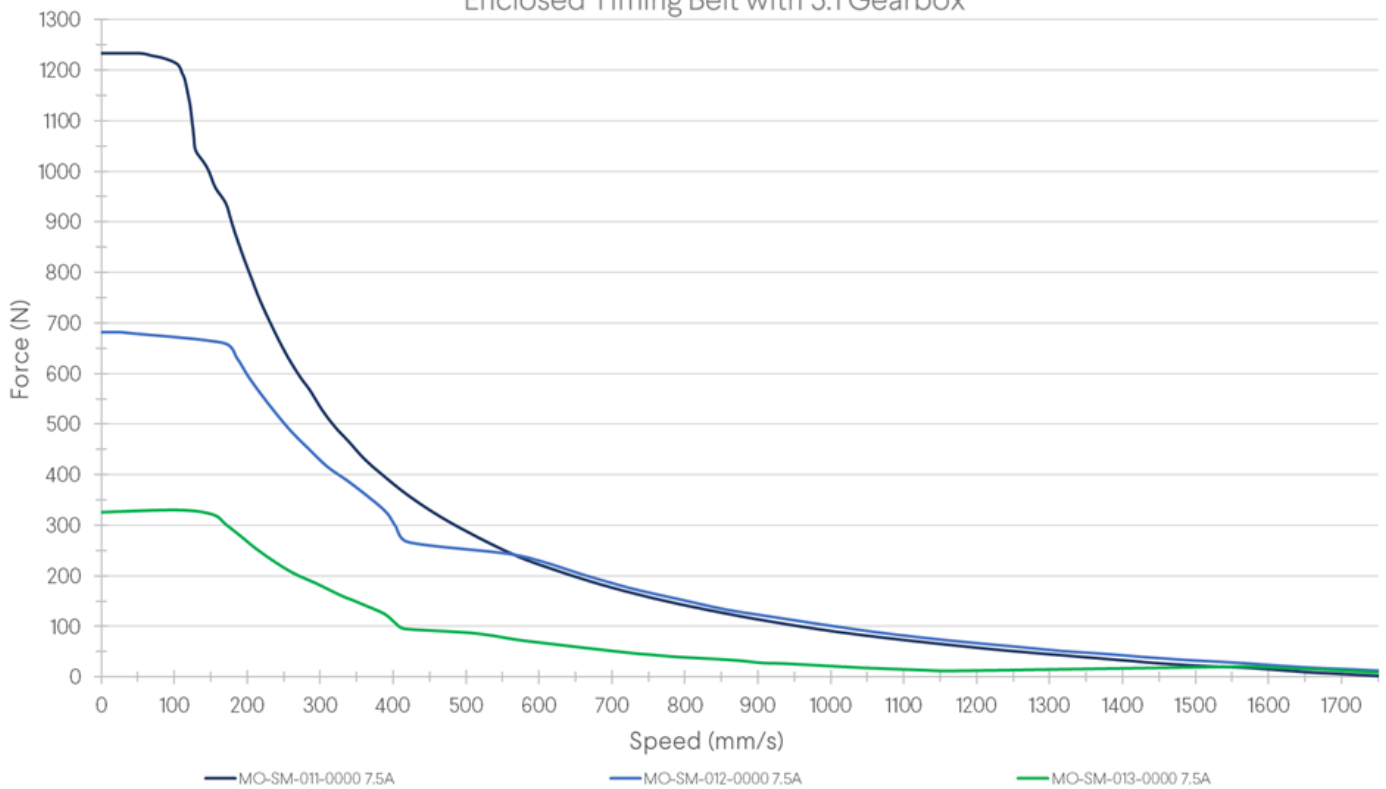
Driving Force

Output force indicates how much weight the actuator can move and how quickly it can accelerate. This force is shown as “Fx” in the [Load Capacity](#) figure. For a more in-depth explanation of driving force, see the section of our linear actuator selection guide that covers [calculating actuator forces](#), or ask your application engineer for an explanation and help with calculations.



The above graph shows the output force of the enclosed axis through the range of operational speeds. Note that due to the frictional losses in the actuator, we do not recommend use of our smallest motor (MO-SM-013-0000) without a gearbox.

Output Force vs. Speed Enclosed Timing Belt with 5:1 Gearbox



The above graph shows the driving force of the enclosed axis through the range of operational speeds when equipped with a 5:1 planetary reduction gearbox, MO-PT-001-0001. As with the earlier figure, the three different curves represent the actuator's performance with a gearbox and the three types of NEMA 34 motors offered by Vention: MO-SM-011-0000, MO-SM-012-0000, and MO-SM-013-0000, driven by MachineMotion 2.

Note: During MachineMotion's boot up sequence, the holding force is momentarily 65% of its rated value. Please keep in mind when using in vertical and/or angled applications.

Assembly Instructions

The enclosed axis comes completely assembled. All you need to do is install your choice of powertrain components, such as brakes, gearbox, motor, and sensors.

Sensors can be installed in any of the four sensor port locations. To install a sensor, remove the port plug and screw the sensor all the way into the hole until it bottoms out. Install one jam nut and tighten it to lock the sensor in place.



Note: The only sensor compatible with the actuator is the shielded proximity sensor (CE-SN-004-0003).

Once the powertrain and sensors are in place, attach the actuator to your structure by connecting any appropriate structural component to the actuator's gantry plate. Use a minimum support distance 765 mm to ensure sufficient rigidity.

The updated enclosed timing belt actuator has two new features to improve mounting. Firstly, the end blocks now have four M8 X 1.25 threaded holes at standard Vention spacing, making it very easy to attach a gusset or other structural equipment to the end of the actuator:



Additionally, the counterbores on the underside of all gantry plates are now hex bores that are able to be used as a fastener counterbore or hex nut (comes included with your actuator) holder. This greatly expands the mounting options that are possible with the gantry plates.



You can route cables by installing a drag chain on the gantry plate's underside, as shown below.



M8 x 8-mm fasteners are included with the actuator for attaching the drag chain to the gantry. If you use the included screws, you can thread into the same hole from top to bottom, expanding your drag chain installation options.

When mounting multiple enclosed actuators in parallel, please refer to the self aligning mount technical document found [here](#).

Maintenance

For maintenance instructions please refer to the appropriate section in our [Maintenance Technical Document](#).